

I N S U L A T E D



The Door to Quality.™





The 6000 Series

▶ VERSATILE AND CAPABLE FOR ALL CLIMATES.

These coiling doors are engineered and designed for maximum strength and durability. Manufactured to stringent code standards, the Series 6000 insulated coiling door is an industrial product built to provide a high degree of confidence for specifiers and end users. A wide variety of slat profiles, gauges, and color options are available.

Powder Coat

Select powder coat options from a palette of 188 colors. RAL numbers are provided for each color to ensure that your selection is consistent.



Hood

Half-hexagonal formed hoods deliver superior structural rigidity and aesthetic appeal.



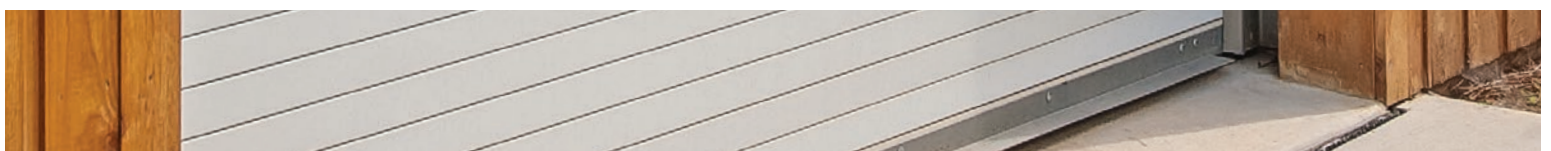
Windows

Clear acrylic glazed lites approximately 5" x 1-1/8" in size and spaced 7" on center. Pattern options include one or more full rows or groups of windows.



Service Panel

Guides feature an easily removable 24" inside angle simplifying the replacement of damaged slats or bottom bar.



SPECIFICATIONS AND OPTIONS

MODELS

	6242	6222	6202	6182
CURTAIN				
Flat slat	S	S	S	S
Exterior Skin				
24 gauge, Galvanized [G/W/T/B/U/P]	S	—	—	—
22 gauge, Galvanized [G/W/T/B/U/P]	—	S	—	—
20 gauge, Galvanized [G/W/U/P]	—	—	S	—
18 gauge, Galvanized [G/W/U/P]	—	—	—	S
Interior Skin				
24 gauge, Galvanized [G/W/T/B/U/P]	S	S	S	S
INSULATION				
Laid in Place [LIP] Polystyrene	—	—	—	S
Laid in Place [LIP] Urethane	—	—	—	O
Foamed in Place [FIP] Urethane	S	S	S	—
R-Value	7.2	7.2	7.2	4.7 or 6.7
BOTTOM BAR				
11 gauge, Double angle [U]	S ¹	S ¹	S ¹	S ¹
Minimum 1/8" double angle steel [BK]	S ²	S ²	S ²	S ²
Extruded aluminum (maximum width 14'4") [C]	O	O	O	O
HOOD				
24 gauge, Galvanized [G/W/T/B/U/P]	S	S	S	S
GUIDES Fabricated from three (minimum 3/16") structural steel angles bolted together to form guide channel. Guide angles include curtain stops and flared guides.				
Painted steel [BK]	S	S	S	S
Hot dipped galvanized steel	O	O	O	O
Cold galvanized steel	O	O	O	O
OPERATION				
Chain hoist	S	S	S	S
Motor	O	O	O	O
WINDLOAD				
Windbreaker Series	O	O	O	—
Impact Series	O	O	O	—
STANDARD DIMENSIONS Consult factory for larger sizes.				
Width	24'4"	24'4"	30'0"	30'0"
Height	16'4"	20'4"	24'0"	24'0"

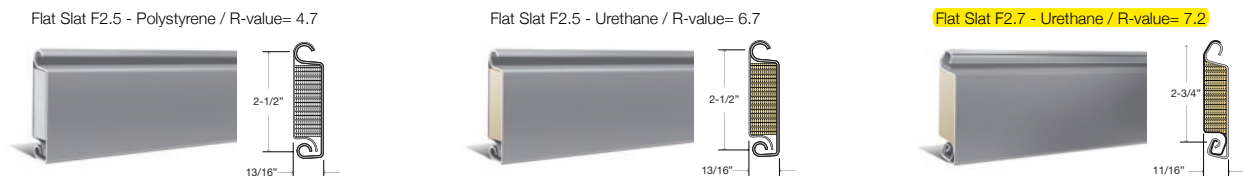
LOCKING Manual push-up doors furnished with interior slide bolt locks with padlock provision standard. Chain hoist operated doors furnished with chain hoist keeper suitable for padlocking. Optional bottom bar cylinder locking available.

WARRANTY Manufacturer's standard 5-year from date of plant shipment against defects in materials or workmanship. Spring wire is warranted for one year. C.H.I.'s obligations are strictly limited to repair or replacement of defective parts and components during the warranty period.

INSTALLATION C.H.I. Rolling Steel Doors shall be installed and adjusted according to C.H.I. assembly instructions by trained door service technicians.

S = Standard O = Optional — = Not available G = Gray W = White T = Tan B = Brown U = Unpainted galvanized C = Clear anodized P = Powder coat BK = Black
 1 Standard on doors up to 14'4" wide. 2 Standard on doors over 14'4" wide.

CURTAIN PROFILES

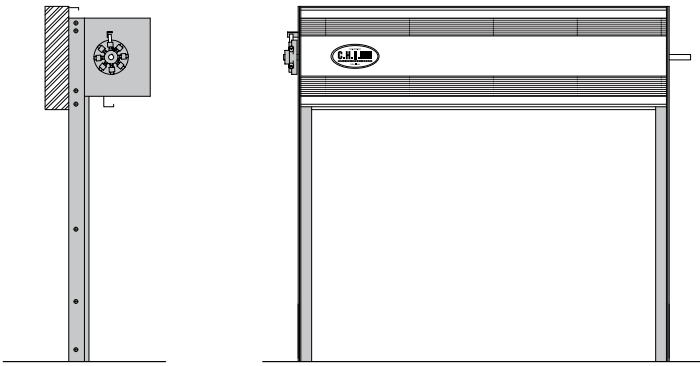


C.H.I. Overhead Doors developed the resilient Windbreaker Series garage doors to protect against high wind conditions. The super-resilient C.H.I. iSeries Impact Approved doors have strength designed to withstand direct collision of projectiles and other windborne debris at high speeds.

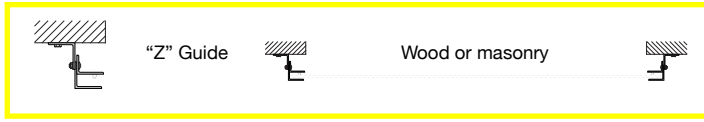
FINISHES



MOUNTING OPTIONS



Face of Wall



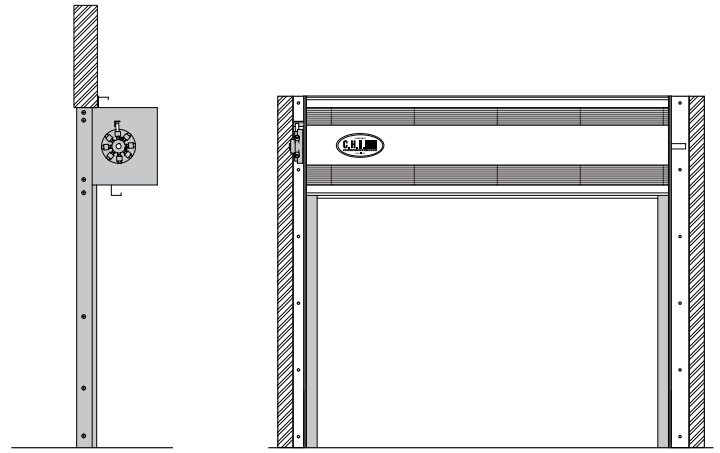
"Z" Guide

Wood or masonry



"E" Guide

Steel



Between Jamb



Between Jamb

Steel, wood or masonry

Standard service doors are built to order to fit specific dimensions up to 30'0" wide, 24'4" high. Consult factory for larger doors not listed. If headroom is critical, consult factory to determine headroom requirements for your application.

For downloadable specifications, please visit our website at www.chiohd.com or call our AIA hotline at, 800-590-0559.

ASK YOUR DOOR PROFESSIONAL AT:



The Door to Quality.™

www.chiohd.com